



FITTINGS



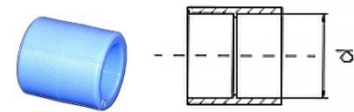
7 Fittings

7.1 Standard-Fittings

SOCKET

TECHNICAL DATA

DESCRIPTION	socket, for heating element socket welding, for connecting pipes or capillary tube mats/heating and cooling mats
Ø INSIDE	20 to 63 mm
MATERIAL/COLOUR	PP-R/blue

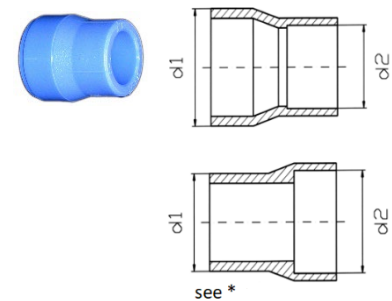


ITEM NO.	ADD-ON NO.	D	PU [PC.]
800	. 2000	20	1
	. 2500	25	1
	. 3200	32	1
	. 4000	40	1
	. 5000	50	1
	. 6300	63	1

REDUCING PIECE (I-O)

TECHNICAL DATA

DESCRIPTION	reducing piece inside/outside, for heating element socket welding, for connecting pipes or capillary tube mats/heating and cooling mats
Ø OUTSIDE D1	25 to 63 mm
Ø INSIDE D2	20 to 50 mm
MATERIAL/COLOUR	PP-R/blue



ITEM NO.	ADD-ON NO.	D1	D2	PU [PC.]
802	. 2502	25 *	20	1
	. 3201	32	20	1
	. 3202	32 *	25	1
	. 4001	40	20	1
	. 4002	40	25	1
	. 4003	40 *	32	1
	. 5001	50	20	1
	. 5002	50	25	1
	. 5003	50	32	1
	. 5004	50 *	40	1
	. 6301	63	25	1
	. 6302	63	32	1
	. 6303	63	40	1
	. 6304	63 *	50	1

TRANSITION PIECE WITH EXTERNAL HEXAGONAL BOLT

TECHNICAL DATA

DESCRIPTION	transition piece with male thread and hexagon head, for heating element socket welding
Ø INSIDE	20 to 63 mm
THREAD	1/2 to 2" male thread
MATERIAL/COLOUR	transition piece: PP-R/blue, thread/hexagon head: brass



ITEM NO.	ADD-ON NO.	D	MALE THREAD	PU [PC.]
810	. 2001	20	½"	1
* subject to availability	. 2002 *	20	¾"	1
	. 2501	25	¾"	1
	. 3201	32	¾"	1
	. 3202	32	1"	1
	. 4001	40	1"	1
	. 4002	40	1¼"	1
* subject to availability	. 5001 *	50	1¼"	1
	. 5002	50	1½"	1
	. 6301	63	1½"	1
	. 6302	63	2"	1

TRANSITION COUPLING WITHOUT EXTERNAL HEXAGONAL

TECHNICAL DATA

DESCRIPTION	transition coupling, round, with male thread, without hexagon head, for heating element socket welding
Ø INSIDE	16 to 25 mm
THREAD	1/2 to 3/4" male thread
MATERIAL/COLOUR	transition coupling: PP-R/blue, thread: brass



ITEM NO.	ADD-ON NO.	D	MALE THREAD	PU [PC.]
811	. 2001	20	½"	1
* subject to availability	. 2002 *	20	¾"	1
	. 2501	25	½"	1
	. 2502	25	¾"	1

TRANSITION SLEEVE

TECHNICAL DATA

DESCRIPTION	transition sleeve with female thread, with hexagon head, for heating element socket welding
Ø INSIDE	20 to 63 mm
THREAD	1/2 to 2" female thread
MATERIAL/COLOUR	transition sleeve: PP-R/blue, thread/hexagon head: brass



ITEM NO.	ADD-ON NO.	D	FEMALE THREAD	PU [PC.]
816	. 2001	20	½"	1
* subject to availability	. 2002 *	20	¾"	1
	. 2501	25	¾"	1
	. 3201	32	¾"	1
	. 3202	32	1"	1
	. 4001	40	1"	1
	. 4002	40	1¼"	1
	. 5001	50	1½"	1
	. 6301	63	1½"	1
	. 6302	63	2"	1

TRANSITION SOCKET

TECHNICAL DATA

DESCRIPTION	transition socket, round, with female thread, without hexagon head, for heating element socket welding
Ø INSIDE	20 to 25 mm
THREAD	1/2 to 3/4" IG
MATERIAL/COLOUR	transition socket: PP-R/blue, thread: brass



ITEM NO.	ADD-ON NO.	D	FEMALE THREAD	PU [PC.]
817	. 2001	20	½"	1
* subject to availability	. 2002 *	20	¾"	1
	. 2501	25	½"	1
	. 2502	25	¾"	1

90° ELBOW (I-I)

TECHNICAL DATA

DESCRIPTION	90° elbow female/female, for heating element socket welding
Ø INSIDE	20 to 63 mm
MATERIAL/COLOUR	PP-R/blue



ITEM NO.	ADD-ON NO.	D	PU [PC.]
820	. 2000	20	1
	. 2500	25	1
	. 3200	32	1
	. 4000	40	1
	. 5000	50	1
	. 6300	63	1

90° TRANSITION ELBOW AG

TECHNICAL DATA

DESCRIPTION	90° transition elbow with male thread, from 1" with hexagon head, for heating element socket welding
Ø INSIDE	20 to 32 mm
THREAD	1/2 to 1" male thread
MATERIAL/COLOUR	transition elbow: PP-R/blue, thread/hexagon head: brass

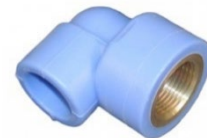


ITEM NO.	ADD-ON NO.	D	MALE THREAD	PU [PC.]
821	. 2001	20	½"	1
* subject to availability	. 2002 *	20	¾"	1
	. 2501	25	½"	1
	. 2502	25	¾"	1
** discontinued article	. 3201 **	32	¾"	1
	. 3202	32	1"	1

90° TRANSITION ELBOW IG

TECHNICAL DATA

DESCRIPTION	90° transition elbow with female thread, from 1" with hexagon head, for heating element socket welding
Ø INSIDE	20 to 32 mm
THREAD	1/2 to 1" female thread
MATERIAL/COLOUR	transition elbow: PP-R/blue, thread/hexagon head: brass



ITEM NO.	ADD-ON NO.	D	FEMALE THREAD	PU [PC.]
822	. 2001	20	½"	1
* subject to availability	. 2002 *	20	¾"	1
	. 2501	25	½"	1
	. 2502	25	¾"	1
	. 3201	32	¾"	1
	. 3202	32	1"	1

45° ELBOW (I-I)

TECHNICAL DATA

DESCRIPTION	45° elbow female/female, for heating element socket welding
Ø INSIDE	20 to 63 mm
MATERIAL/COLOUR	PP-R/blue



ITEM NO.	ADD-ON NO.	D	PU [PC.]
823	. 2000	20	1
	. 2500	25	1
	. 3200	32	1
	. 4000	40	1
	. 5000	50	1
	. 6300	63	1

45° ELBOW (I-O)

TECHNICAL DATA

DESCRIPTION	45° elbow female/male, for heating element socket welding
Ø INSIDE	20 to 32 mm
MATERIAL/COLOUR	PP-R/blue



ITEM NO.	ADD-ON NO.	D	PU [PC.]
824	. 2000	20	1
	. 2500	25	1
	. 3200	32	1

T-PIECE 90° EQUAL

TECHNICAL DATA

DESCRIPTION	T-piece 90° equal, for heating element socket welding, for connecting pipes or capillary tube mats/heating and cooling mats
Ø INSIDE	20 to 63 mm
MATERIAL/COLOUR	PP-R/blue



ITEM NO.	ADD-ON NO.	D	PU [PC.]
825	. 2000	20	1
	. 2500	25	1
	. 3200	32	1
	. 4000	40	1
	. 5000	50	1
	. 6300	63	1

90° ELBOW (I-O)

TECHNICAL DATA

DESCRIPTION	90° elbow female/male, for heating element socket welding
Ø INSIDE	20 to 40 mm
MATERIAL/COLOUR	PP-R/blue



ITEM NO.	ADD-ON NO.	D	PU [PC.]
826	. 2000	20	1
	. 2500	25	1
	. 3200	32	1
	. 4000	40	1

T-PIECE 90° REDUCED

TECHNICAL DATA

DESCRIPTION T-piece 90° reduced, for heating element socket welding

Ø INSIDE D1 25 to 63 mm

Ø INSIDE D2 20 to 50 mm

Ø INSIDE D3 25 to 63 mm

MATERIAL/COLOUR PP-R/blue



ITEM NO.	ADD-ON NO.	D1	D2	D3	PU [PC.]
830	.2502	25	20	20	1
	.2503	25	20	25	1
	.3201	32	20	32	1
	.3202	32	25	32	1
	.4001	40	20	40	1
	.4002	40	25	40	1
	.4003	40	32	40	1
	.5002	50	25	50	1
	.5003	50	32	50	1
	.5004	50	40	50	1
	.6302	63	25	63	1
	.6303	63	32	63	1
	.6304	63	40	63	1
	.6305	63	50	63	1

THREADED BRANCH TEE

TECHNICAL DATA

DESCRIPTION threaded branch tee 90° with female thread, from 1" with hexagon head, for heating element socket welding

Ø INSIDE 20 to 40 mm

THREAD 1/2 to 1" female thread

MATERIAL/COLOUR branch tee: PP-R/blue, thread/hexagon head: brass



ITEM NO.	ADD-ON NO.	D1	FEMALE THREAD	PU [PC.]
832	.2001	20	½"	1
	* subject to availability	.2002 *	¾"	1
	.2501	25	½"	1
	.2502	25	¾"	1
	.3201	32	¾"	1
	.3202	32	1"	1
	.4001	40	¾"	1
	.4002	40	1"	1

END CAP

TECHNICAL DATA

DESCRIPTION	end cap, for heating element socket welding, for closing pipes or capillary tube mats/heating and cooling mats
Ø INSIDE	20 to 63 mm
MATERIAL/COLOUR	PP-R/blue



ITEM NO.	ADD-ON NO.	D	PU [PC.]
845	. 2000	20	1
	. 2500	25	1
	. 3200	32	1
	. 4000	40	1
	. 5000	50	1
	. 6300	63	1

TRANSITION SCREW MALE

TECHNICAL DATA

DESCRIPTION	transition screw with male thread and hexagon head, for heating element socket welding
Ø	20 to 63 mm
THREAD	1/2 to 2" male thread
MATERIAL/COLOUR	pipe end: PP-R/blue, thread/hexagon head: brass



ITEM NO.	ADD-ON NO.	D	MALE THREAD	PU [PC.]
861	. 2000	20	½"	1
	. 2500	25	¾"	1
	. 3200	32	1"	1
	. 4000	40	1¼"	1
	. 5000	50	1½"	1
	. 6300	63	2"	1

PP-SOCKET BALL VALVE

TECHNICAL DATA

DESCRIPTION	PP-socket ball valve, to shut off, for heating element socket welding
Ø INSIDE	20 to 63 mm
MATERIAL/COLOUR	PP-R/blue or green



ITEM NO.	ADD-ON NO.	D	L/H	PU [PC.]
870	. 2000	20	on request	1
	. 2500	25	on request	1
	. 3200	32	on request	1
	. 4000	40	on request	1
	. 5000	50	on request	1
	. 6300	63	on request	1

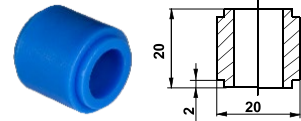
7.2 Special-Fittings

Clina Fittings are made of high-quality polypropylene (PP-R) like the capillary tube mats for heating and cooling. All fittings are DVGW - registered and standardised to DIN 16962.

INSIDE SOCKET

TECHNICAL DATA

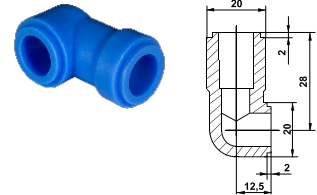
DESCRIPTION	inside socket for heating element inside socket welding
ITEM NO.	FI 20
Ø OUTSIDE	20 mm
MATERIAL/COLOUR	PP-R/blue



90° ELBOW WITH INSIDE SOCKET

TECHNICAL DATA

DESCRIPTION	90° elbow with inside socket for heating element inside socket welding
ITEM NO.	FWI 9020
Ø OUTSIDE	20 mm
MATERIAL/COLOUR	PP-R/blue



90° ELBOW HS

TECHNICAL DATA

DESCRIPTION	90° elbow for butt-welding
ITEM NO.	FWS 9020
Ø OUTSIDE	20 mm
MATERIAL/COLOUR	PP-R/blue



END CAP WITH GRIP

TECHNICAL DATA

DESCRIPTION	end cap for butt welding, with grip, for closing pipes or capillary tube mats/heating and cooling mats
ITEM NO.	FESG 20
Ø OUTSIDE	20 mm
MATERIAL/COLOUR	PP-R/blue



VALVE CONNECTION

TECHNICAL DATA

DESCRIPTION	valve connection, socket end for heating element socket welding, 20 x 3/4 inside thread Euroconus
ITEM NO.	FVM 20
Ø OUTSIDE	20 mm
MATERIAL/COLOUR/SURFACE	socket end: PP-R/blue union nut (Überwurfmutter): nickel-plated brass

